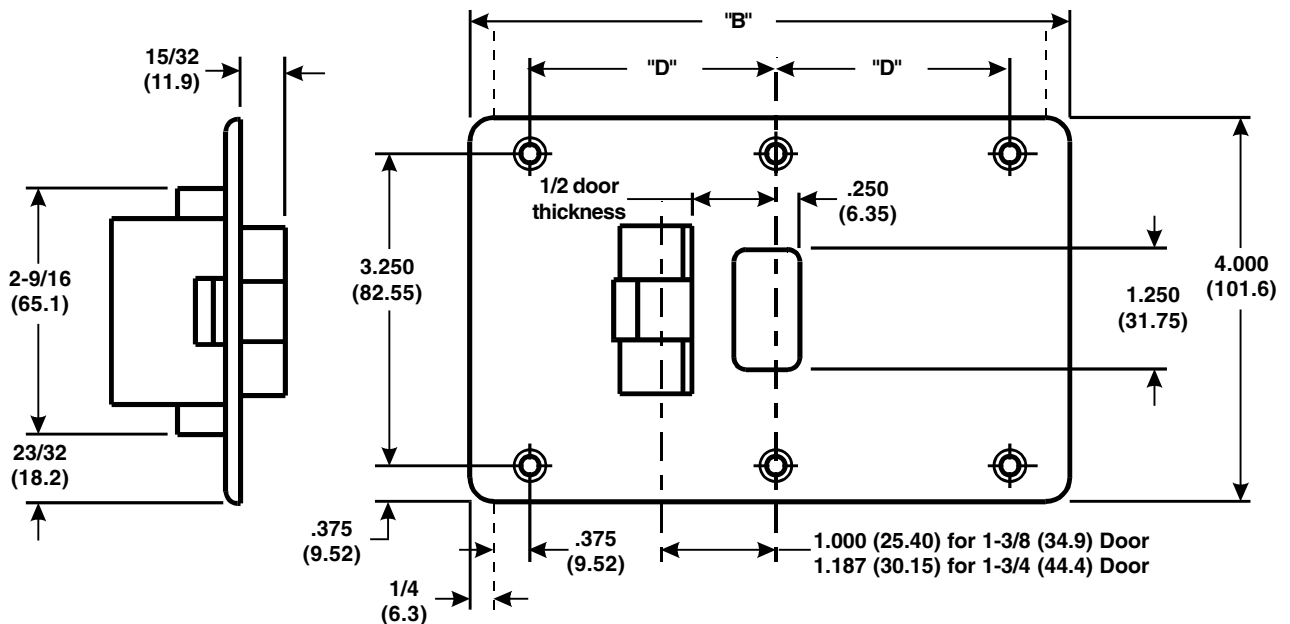
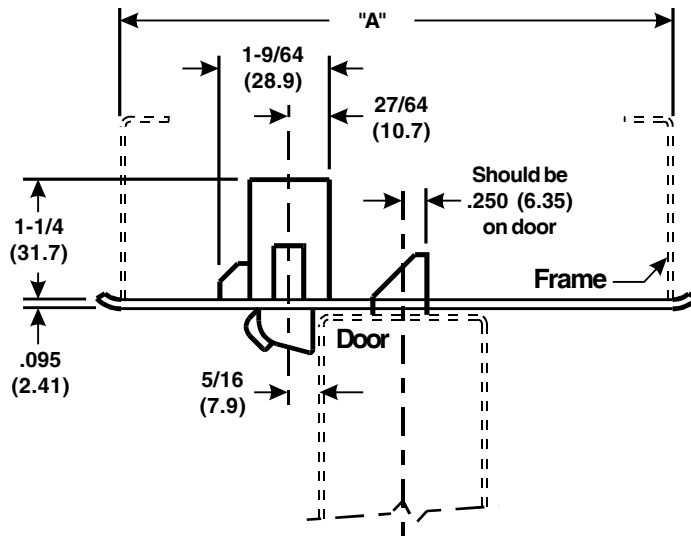


CSS-9*

TEMPLATE COMBINATION STRIKE & STOP - FOR CENTER HUNG DOORS

DO NOT SCALE

"A" FRAME SIZE	"B" (REF.)	"D"
4-3/4 (120.6)	5-5/16 (134.9)	2.000 (50.80)
5-5/8 (142.9)	6-3/16 (157.2)	2.437 (61.91)
5-3/4 (146.0)	6-5/16 (160.3)	2.500 (63.50)
5-7/8 (149.2)	6-7/16 (163.5)	2.562 (65.09)
6-1/4 (158.7)	6-13/16 (173.0)	2.750 (69.85)
6-3/4 (171.4)	7-5/16 (185.7)	3.000 (76.20)
7-1/8 (180.9)	7-11/16 (195.3)	3.187 (80.96)
7-3/4 (196.8)	8-5/16 (211.1)	3.500 (88.90)
8-1/4 (209.5)	8-13/16 (223.8)	3.750 (95.25)
8-3/4 (222.2)	9-5/16 (236.5)	4.000 (101.60)



McKINNEY Template Combination Strike and Stops for center hung doors are made to conform to this drawing.

Machine Screw Size - 1/2 x 8-32 F.H.

Wood Screw Size - 3/4 x 8 F.H.

* McKINNEY CSS-9 is designed for use with cylindrical bored lock sets and may not work properly with some mortise locks. Consult factory for mortise lock applications.

McKINNEY Products Company

Manufacturer reserves the right to make changes without formal notice.

TEMPLATE 221B-98